

WIRELESS IMPLEMENTATION

PROFESSIONAL SERVICES

Implementing IEEE 802.1x WLAN Security Integration with Windows Server

Code: PS-INS-WSS-03

Overview

If you are considering secure wireless access using IEEE 802.1X authentication, this services is designed to enable you to implement an 802.1X-based secure wireless network components for the wireless LAN (WLAN) solution.

A important goal of this services is to help you determine the suitability of the design WLAN security an IEEE 802.1X-based standard for your own organization.

The coverage configurations are a full management system for your Remote Authentication DialIn Server (RADIUS) in Windows Server and wireless LAN (WLAN) security infrastructure using Protected Extensible Authentication Protocol with Microsoft Challenge-Handshake Authentication Protocol version 2 (PEAP-MS-CHAPv2) or Extensible Authentication Protocol-Transport Layer Security (EAP-TLS).

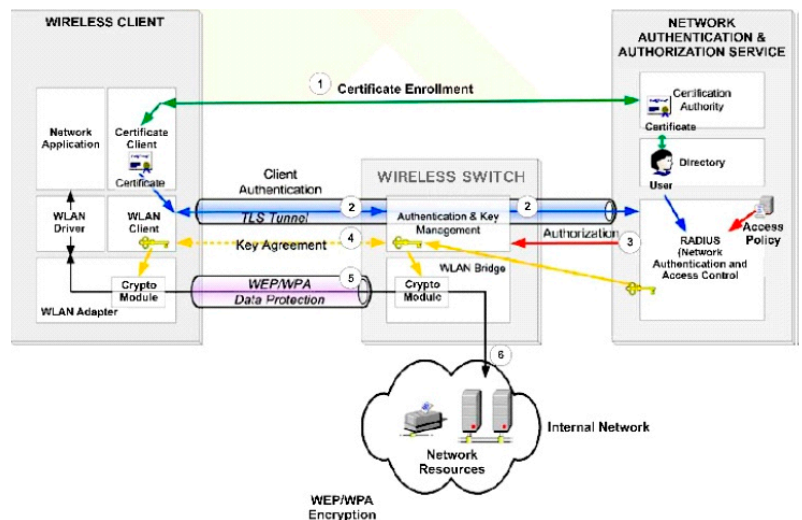


WLAN Controller Appliance Installation & Configuration

- ▶ Wireless LAN Controller
- ▶ Wired Network installed
- ▶ Lightweight Access Points or Thin Access Point
- ▶ Microsoft Windows Server
- ▶ Layer 2/3 access and distribution switch
- ▶ Client: Laptop or PC that support Wifi, mobile device, smart phone, etc

Scope of Work

1. Determine what enterprise wireless LAN security rules based an IEEE 802.1X standard
2. Setup of WLAN controller around your determination wireless network security
3. Configuring Windows Server as a domain controller
4. Obtaining and installing a server certificate
5. Installing and Configuring Windows authentication service
6. Configuring Group Policy settings for wireless network (IEEE 802.11) policies
7. Configuring several access point
8. How to Setup the WLAN Security on Wireless client
9. Knowledge transfer to customer WLAN Network Admin
10. Setting & Configuration documentation



ACS GROUP

PT. AUTOJAYA IDETECH - www.autojaya.com
PT. SOLUSI PERIFERAL - www.solper.com

Jakarta : Perkantoran Gunung Sahari Permai #C-03, Jl. Gunung Sahari Raya No 60-63, Jakarta 10610 - Phone: +62 21 - 4208221 or 4205488 - Fax: +62 21 - 4207903, 4207904
Cikarang : Cikarang Square Blok E No. 62, Jl.Cikarang - Cibarusah Km. 40, Cikarang Barat - Bekasi - Phone : +62 21 - 29612366, 29612367 - Fax : +62 21 - 29612368
Semarang : Grand Ngaliyan Square, Blok B No.18, Ngaliyan, Semarang 50184 - Phone : +62 24 - 76638092, 76638093 - Fax : +62 24 - 76638096
Surabaya : Komplek Ruko Gateway Blok D-27, Jl. Raya Waru, Sidoarjo 61254 - Phone : +62 31 - 8556277(H), 8556278 - Fax : +62 31 - 8556279
Denpasar : Jl. Gatot Subroto I-XI, No.18, Denpasar, Bali 80239 - Phone : +62 361 - 419284(H) - Fax : +62 361 - 419315