

ACCESS CONTROL INSTALLATION

PROFESSIONAL SERVICES

Access Control System for Installations Professional Services

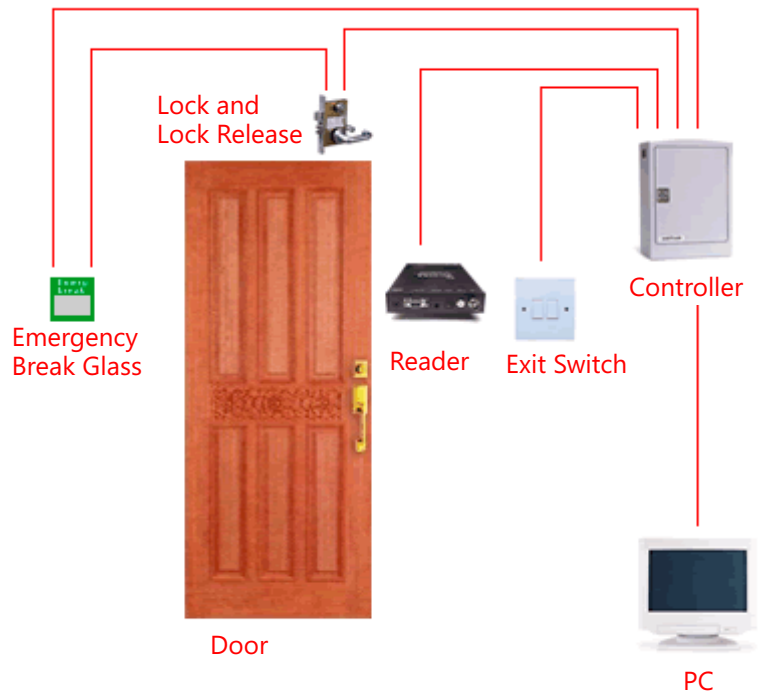
Code: PS-SV-INS-01

Overview

Access Control System allows you to control the flow of visitors and employees through your facility while providing comprehensive security, administration, reporting and accountability functions with the ease of keyless entry. Access Control is available for one door, many doors or many locations. Access Control Systems can also be integrated with other options such as optical turnstiles or CCTV depending on the needs of your facility.

We can supply and install all equipment required as part of the job including the access control unit, electric locks, power supply units, press-to-exit buttons, break-glasses, key switches as well as those all important card readers and the cards or fobs themselves that your employees will need to gain access.

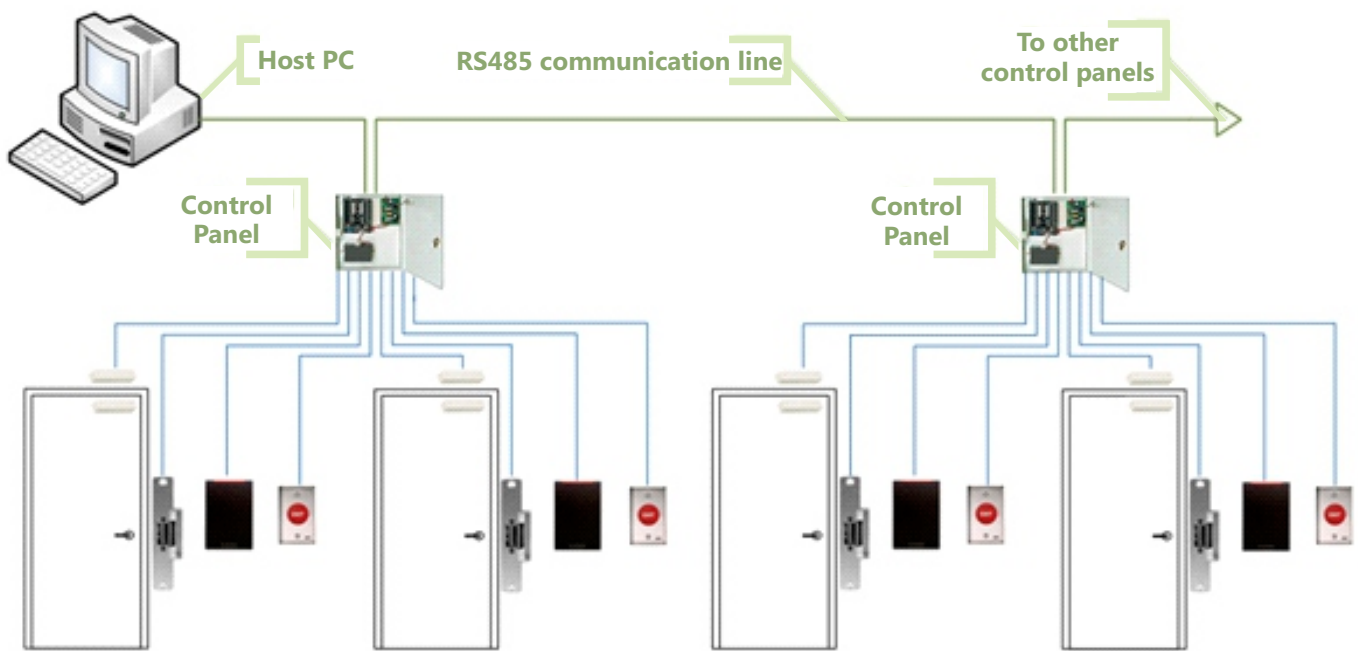
We also provide the access control system software on your designated PC and work with you in setting up personnel groups, rules, doors and adding employees.



Benefits of Our Access Control System Installation

Some of the activities that will take place during the access control system installation include but are not limited to:

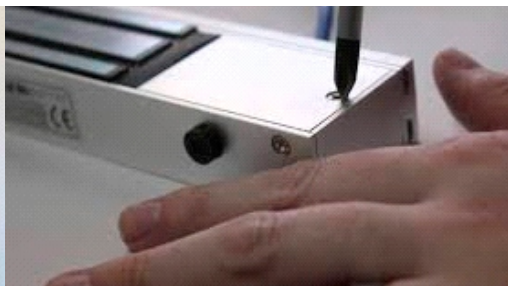
- Installation of access control reader, single or multiple reader interface.
- Installation of door contact used different types for timber, metal and glass doors
- Installation of electromagnetic lock, drop bolt, contacts and bracket
- Installation of request to Exit Push Button
- Install the wiring system both power cable and data communication cable
- Installation of access control software and setup for each door authorization
- Performing an acceptance test and user training



Post Installation Report

All aspects of the physical installation will be documented during the actual installation process. This documentation should include, but not be limited, to the following:

- o Physical network layout showing all cable locations and the cable and port numbering scheme
- o As-built floor plan showing controller, readers locations, door locations, etc.
- o Number of doors and location, request to exit devices push button, etc.
- o Single line topology system included network parameters and IP addresses list
- o Provisioning of the credential access
- o Document of setup and configuration parameters



ACS GROUP

PT. AUTOJAYA IDETECH - www.autojaya.com
 PT. SOLUSI PERIFERAL - www.solper.com

Jakarta : Perkantoran Gunung Sahari Permai #C-03, Jl. Gunung Sahari Raya No 60-63, Jakarta 10610 - Phone: +62 21 - 4208221 or 4205488 - Fax: +62 21 - 4207903, 4207904
Cikarang : Cikarang Square Blok E No. 62, Jl. Cikarang - Cibarusah Km. 40, Cikarang Barat - Bekasi - Phone : +62 21 - 29612366, 29612367 - Fax : +62 21 - 29612368
Semarang : Grand Ngaliyan Square, Blok B No.18, Ngaliyan, Semarang 50184 - Phone : +62 24 - 76638092, 76638093 - Fax : +62 24 - 76638096
Surabaya : Komplek Ruko Gateway Blok D-27, Jl. Raya Waru, Sidoarjo 61254 - Phone : +62 31 - 8556277(H), 8556278 - Fax : +62 31 - 8556279
Denpasar : Jl. Gatot Subroto I-XI, No.18, Denpasar, Bali 80239 - Phone : +62 361 - 419284(H) - Fax : +62 361 - 419315